

## EMPower Open Cupboard Base - 16"

ITEM # \_\_\_\_\_

MODEL # \_\_\_\_\_

NAME # \_\_\_\_\_

SIS # \_\_\_\_\_

AIA # \_\_\_\_\_



169029 (AV16)

EMPower Open Cupboard  
Base, 16" wide

### Short Form Specification

**Item No.** \_\_\_\_\_

EMPower unit to be Electrolux Open Cupboard 16" (406 mm). EMPOWER unit to be installed below Electrolux top EMPOWER units. Construction in Stainless Steel. Right-angled side edges to allow flush fitting between EMPOWER units. Supplied with 6" (150 mm) height adjustable, removable legs. EMPOWER unit may be installed on castors.

### Main Features

- Unit to be installed below Electrolux Professional top models.
- Right-angled side edges to allow flush fitting joints between units, eliminating gaps and possible dirt traps.
- Supplied with 6" (150 mm) height adjustable, removable legs.
- Unit may be installed on casters.
- Base compartment for storage of pots, pans, sheet pans, etc.
- Included Accessories: 4 pins for connection to top units.

### Construction

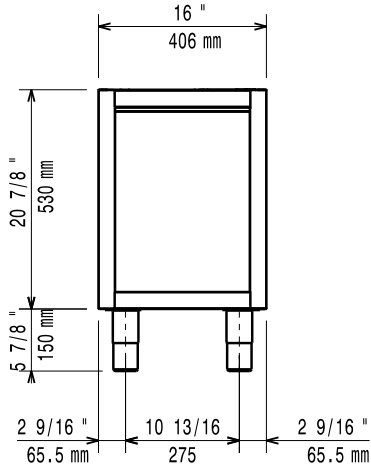
- Constructed in Stainless steel with Scotch Brite finish to meet the highest hygiene standards.
- 4 screws to install top unit on the cupboard base are supplied with the top units.
- Height adjustable feet.

### Optional Accessories

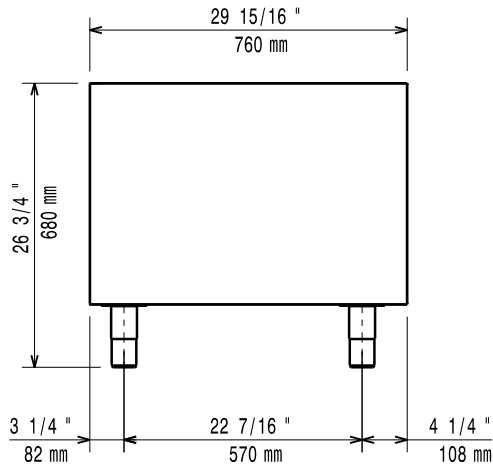
- Kit connecting bases - 2 plates and 2 wheels - 1 with brake. Suitable for pasta cookers, open bases and convection oven base PNC 169041
- EMPOWER portioning shelf 12" PNC 169173
- EMPOWER portioning shelf 16" PNC 169174
- Kit 4 wheels - 2 swiveling with brake PNC 206135

APPROVAL: \_\_\_\_\_

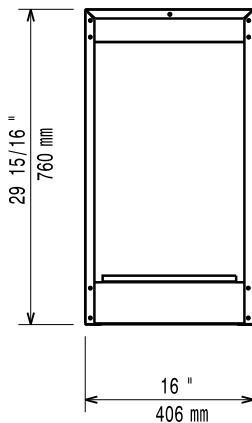
Front



Side



Top


**Key Information:**
**External dimensions, Width:**
**169029 (AV16)** 16 " (406 mm)

**External dimensions, Depth:** 29 15/16" (760 mm)

**External dimensions, Height:** 26 11/16" (678 mm)

**Net weight:** 33 lbs (15 kg)

**Shipping width:** 18 1/8" (460 mm)

**Shipping depth:** 35 7/16" (900 mm)

**Shipping height:** 33 1/16" (840 mm)

**Shipping weight:** 57 lbs (26 kg)

**Shipping volume:** 12.28 ft<sup>3</sup> (0.35 m<sup>3</sup>)